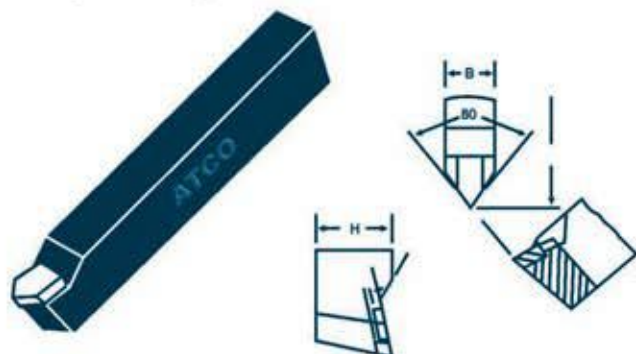


SPL TOOLS

Straight Turning Tools

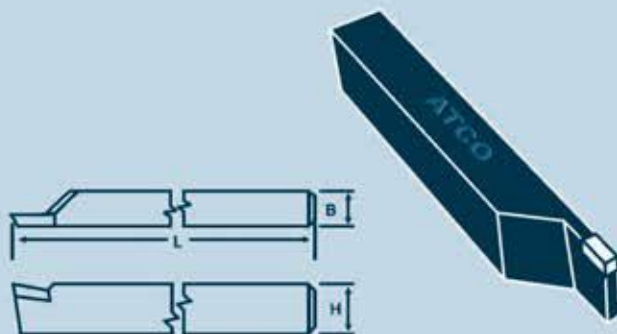


Catalogue code	Dimensions in Inches			Tip
	B	H	L	
E8	3/8"	3/8"	3 1/2"	E8
E10	1/2"	1/2"	4"	E10
E12	3/4"	3/4"	5 1/2"	E12
E16	3/4"	3/4"	5 1/2"	E16
E16	1"	1"	6 1/2"	E16
E20	1"	1"	6 1/2"	E20
E25	1 1/4"	1 1/4"	8"	E25

SPL TOOLS

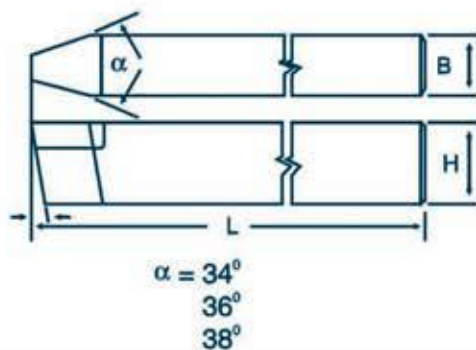
Special Grooving Tools

Catalogue code	Dimensions in Inches			Tip
	B	H	L	
0162	1/2"	1/2"	4"	0162
0166	5/8"	5/8"	5"	0166
0170	3/4"	3/4"	5 1/2"	0170
546	1/2"	1/2"	5"	546
547	3/4"	3/4"	5"	547



SPL TOOLS

V-Groove Form Tools
For Pulley Sections



Catalogue code	Dimensions in Inches	Tip		
			D	H
A SECTION	5/8"	5/8"	5"	Cr16
B SECTION	3/4"	3/4"	5 1/2"	Cr20
C SECTION	1"	1"	6 1/2"	Cr25
D SECTION	1 1/4"	1 1/4"	8"	Cr35